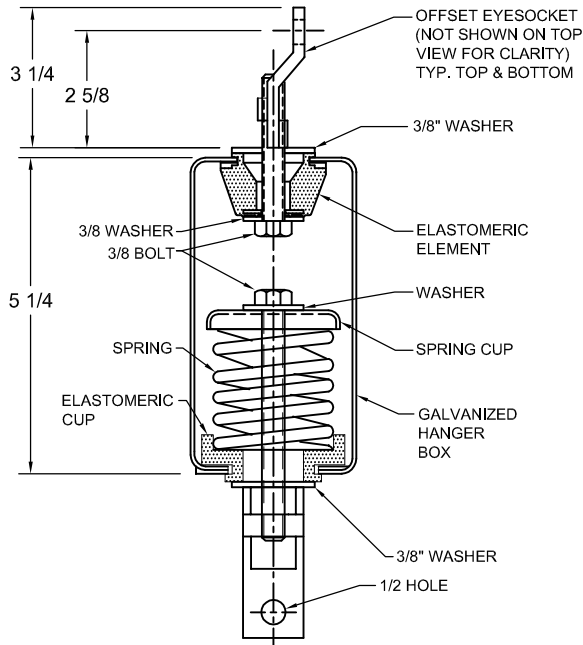
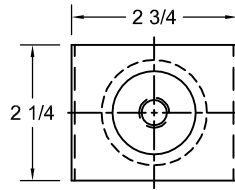
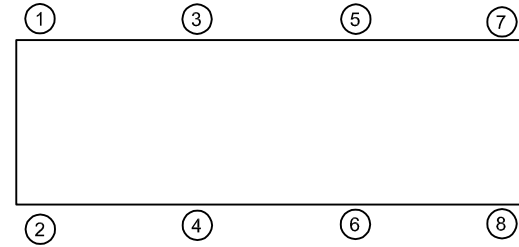


REV.	DESCRIPTION	DATE	BY



MODEL RSHSC-1B ELASTOMERIC & SPRING HANGER 1" DEFLECTION				
HANGER	RATED LOAD (LBS)	RATED DEFLECTION	SPRING RATE (LBS/IN)	COLOR CODE
RSHSC-1B-20	20	1.25	16	DK BLUE
RSHSC-1B-35	35	1.17	30	BLACK
RSHSC-1B-50	50	1.11	45	RED
RSHSC-1B-70	70	0.88	80	DK GREEN
RSHSC-1B-85	85	0.81	105	GRAY



NOTES:

- STANDARD FINISH: HANGER BOX; GALVANIZED STEEL, SPRING - POWDER COAT.
- ALL DIMENSIONS IN INCHES. INTERPRET PER ANSI Y14.
- ALL DIMENSIONS ARE FOR REFERENCE, DIMENSIONS SHOWN AS NOMINAL.
- ALL SPRINGS ARE DESIGNED WITH MINIMUM 50% OVER-TRAVEL.
- HANGER BOXES ARE AVAILABLE PRE-COMPRESSED UP TO THEIR DESIGNATED MAX. LOAD. PERCENTAGE OF PRE-COMPRESSION TO BE DETERMINED BY ENGINEERED APPLICATION OR AS REQUESTED BY CUSTOMER. CONSULT FACTORY FOR POSSIBLE ADDITIONAL PARAMETERS AND OR LIMITATIONS.
- HANGER BOXES WITH AN ELASTOMERIC ELEMENT HAVE UP TO AN ADDITIONAL 1/2" NOMINAL DEFLECTION.
- SOME ASSEMBLIES MAY INCLUDE ADDITIONAL OR VARIOUS SIZE WASHERS.
- RATED DEFLECTIONS ARE WITHIN 25% OF NOMINAL. HIGHER DEFLECTIONS ARE ALLOWED IF THEY MEET SPECIFICATIONS.

ISOLATOR SELECTIONS

LOC 1:	LOC 2:
LOC 3:	LOC 4:
LOC 5:	LOC 6:
LOC 7:	LOC 8:
CUSTOMER EQP'T. TAG:	

NOTE: MATERIAL SHOWN IS FOR (1) SET.

OTHER MATERIALS, COMPOUNDS, OR FINISHES WITH EQUAL OR SUPERIOR PROPERTIES MAY BE SUBSTITUTED AS THEY BECOME AVAILABLE.

CERTIFIED FOR:

JOB NAME: _____
 CUSTOMER: _____
 CUSTOMER P.O.: _____
 SALES ORDER: _____

**MODEL RSHSC-1B 20-85 LBS.
 ELASTOMERIC AND SPRING HANGERS
 WITH OFFSET EYESOCKET
 1 INCH DEFLECTION**



SCALE:	NONE	
SHEET:		
DRAWING NO.:		REVISION