

MSA-R15-B-AB- [] [] - []

PULLEY PITCH DIAMETER	33.42mm (1.316")
PULLEY WIDTH	16.3mm (.642")
PULLEY MATERIAL	STEEL
BELT WEIGHT (kg)	((TRAVEL IN METERS x 2)+.50) x .04
TRAVEL PER REV.	105mm
TRAVEL MIN.	150mm
TRAVEL MAX.	3850mm
CART WEIGHT (kg)	0.36kg
SYSTEM WEIGHT (kg)	(TRAVEL IN METERS x 3.1) + 1.7

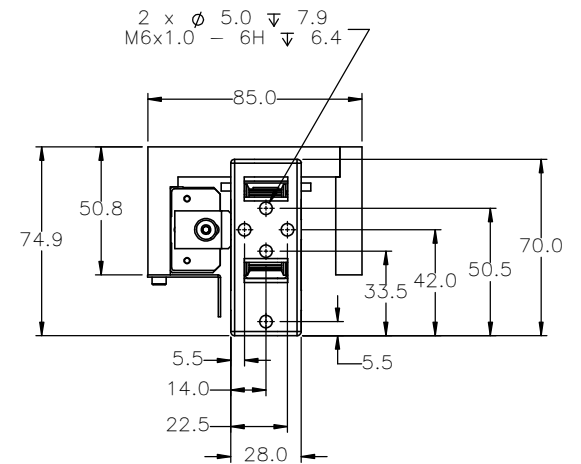
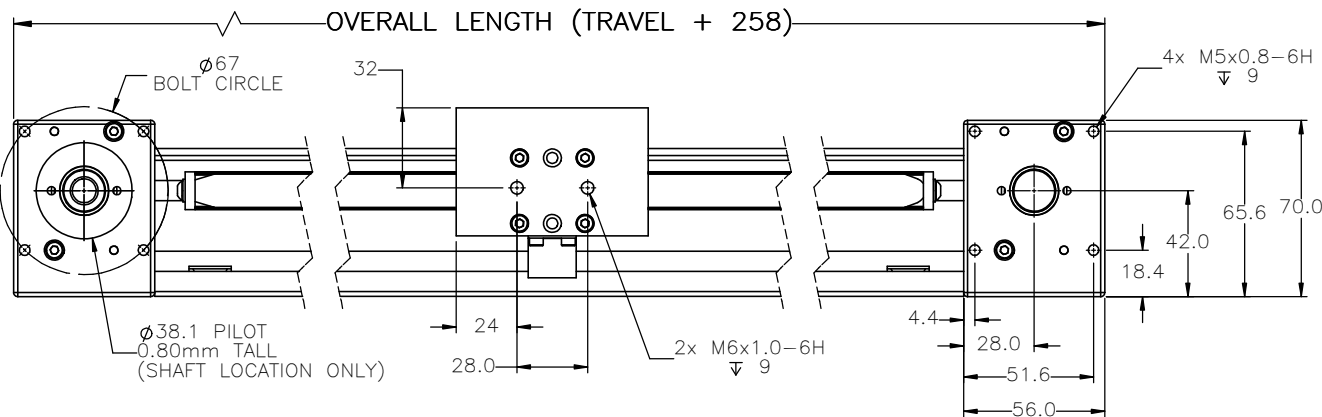
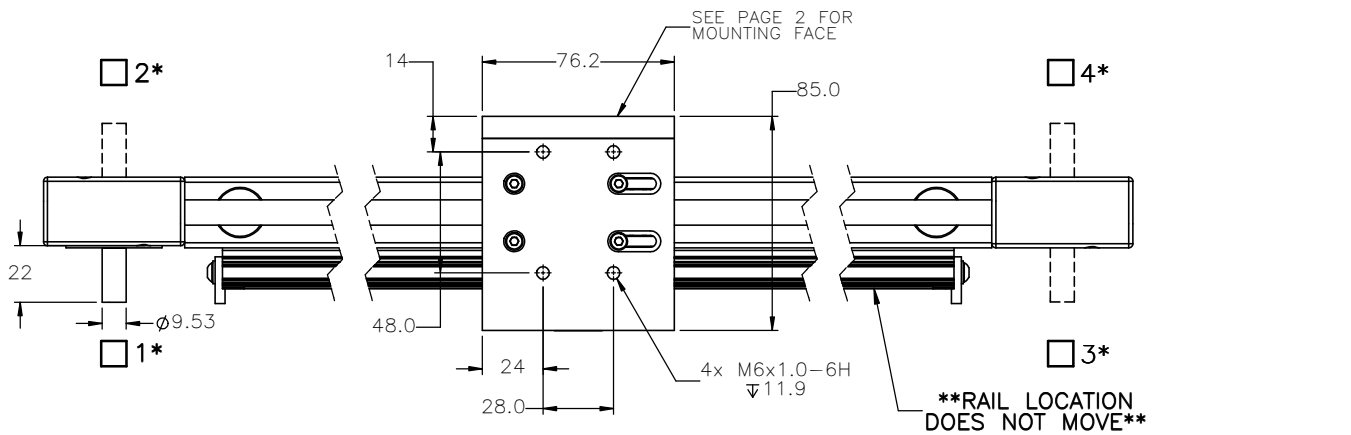
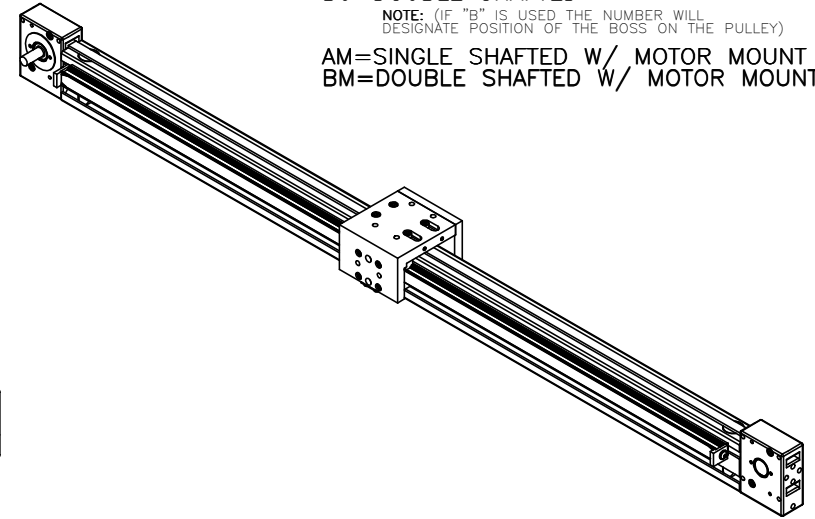
ENTER TRAVEL IN INCREMENTS OF 25mm

SELECT DRIVE SHAFT LOCATION*

SHAFTING TYPE
A0= SINGLE SHAFTED
B0= DOUBLE SHAFTED

NOTE: (IF "B" IS USED THE NUMBER WILL DESIGNATE POSITION OF THE BOSS ON THE PULLEY)

AM= SINGLE SHAFTED W/ MOTOR MOUNT
BM= DOUBLE SHAFTED W/ MOTOR MOUNT



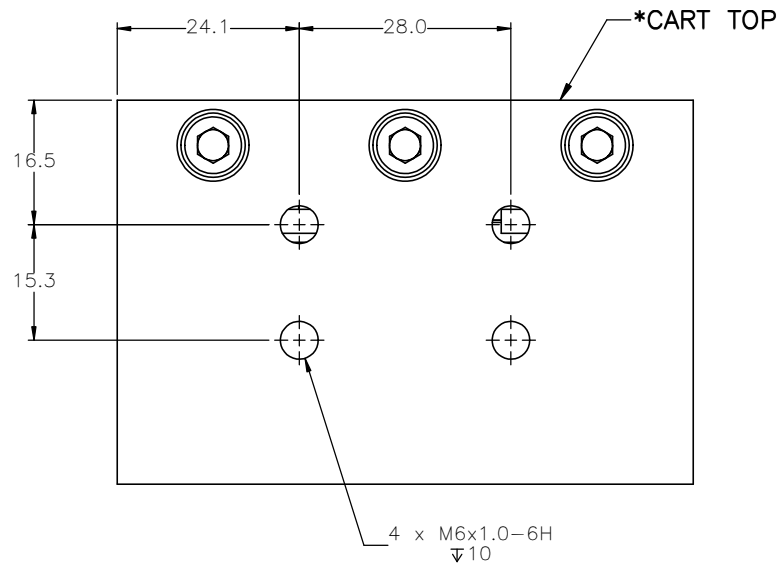
APPROVED: _____

DATE: _____

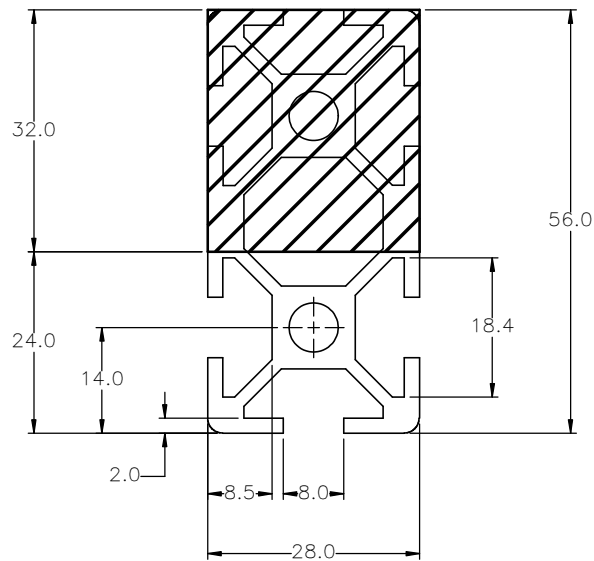
<p>MACRON DYNAMICS INC</p>	DRAWN BY: PHW CHECKED BY: --- LAST SAVED BY: Tim	DATE: 11/26/2017 DATE: DD/MM/YYYY DATE: 8/6/2020	MATERIAL: FINISH:	TITLE: MACRON R15 RAIL ACTUATOR	
	UNLESS OTHERWISE SPECIFIED, DIMENSIONS ARE IN INCHES. TOLERANCES UNLESS NOTED OTHERWISE: .X ± .03 .XX ± .010 .XXX ± .005 ANG ± 0°30'		SCALE: 1:1 SHEET SIZE: C		
	SURFACE FINISH: ✓ BREAK ALL SHARP EDGES DIMENSIONAL LIMITS APPLY AFTER FINISHING THIRD ANGLE PROJECTION		SHEET: 1 OF 2 PART NUMBER: MSA-R15	REV:	
	THIS DRAWING IS THE PROPERTY OF MACRON DYNAMICS. ANY REPRODUCTIONS SHALL BE FOR QUOTATION, MANUFACTURING, OR PURCHASING PURPOSES ONLY. RELEASE OF DRAWINGS TO OTHER CONCERNS DOES NOT CONSTITUTE LICENSING IN ANY WAY. INFORMATION CONTAINED HEREIN IS PROPRIETARY AND CONFIDENTIAL.				

SPECIFICATIONS ARE SUBJECT TO CHANGE WITHOUT NOTICE

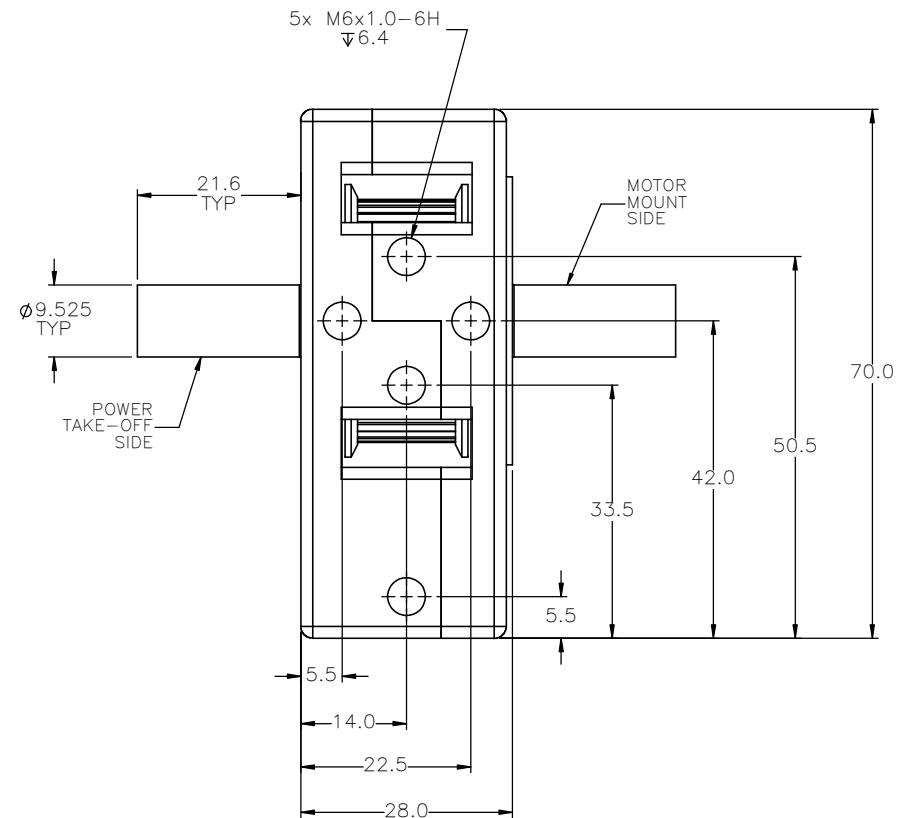
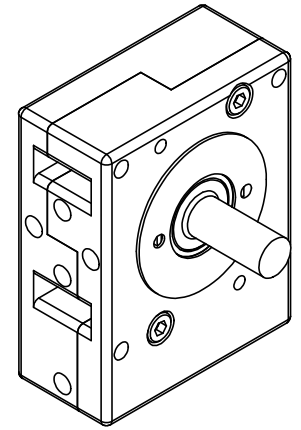
CART MOUNTING FEATURES



CUSTOMER ACCESSIBLE MOUNTING FEATURES, T-NUT SLOTS



DOUBLE SHAFTED PULLEY



SPECIFICATIONS ARE SUBJECT TO CHANGE WITHOUT NOTICE

	DRAWN BY: PHW CHECKED BY: -- LAST SAVED BY: Tim	DATE: 11/26/2017 DATE: DD/MM/YYYY DATE: 8/6/2020	MATERIAL: FINISH:	TITLE: MACRON R15 RAIL ACTUATOR
	UNLESS OTHERWISE SPECIFIED, DIMENSIONS ARE IN INCHES. TOLERANCES UNLESS NOTED OTHERWISE:		.X ± .03 .XX ± .010 .XXX ± .005 ANG ± 0°30'	SCALE: 1:1 SHEET SIZE: C
THIS DRAWING IS THE PROPERTY OF MACRON DYNAMICS. ANY REPRODUCTIONS SHALL BE FOR QUOTATION, MANUFACTURING OR PURCHASING PURPOSES ONLY. RELEASE OF DRAWINGS TO OTHER CONCERNS DOES NOT CONSTITUTE LICENSING IN ANY WAY. INFORMATION CONTAINED HEREIN IS PROPRIETARY AND CONFIDENTIAL.		SURFACE FINISH: ∇ BREAK ALL SHARP EDGES DIMENSIONAL LIMITS APPLY AFTER FINISHING THIRD ANGLE PROJECTION	SHEET: 2 OF 2 PART NUMBER: MSA-R15	REV: C